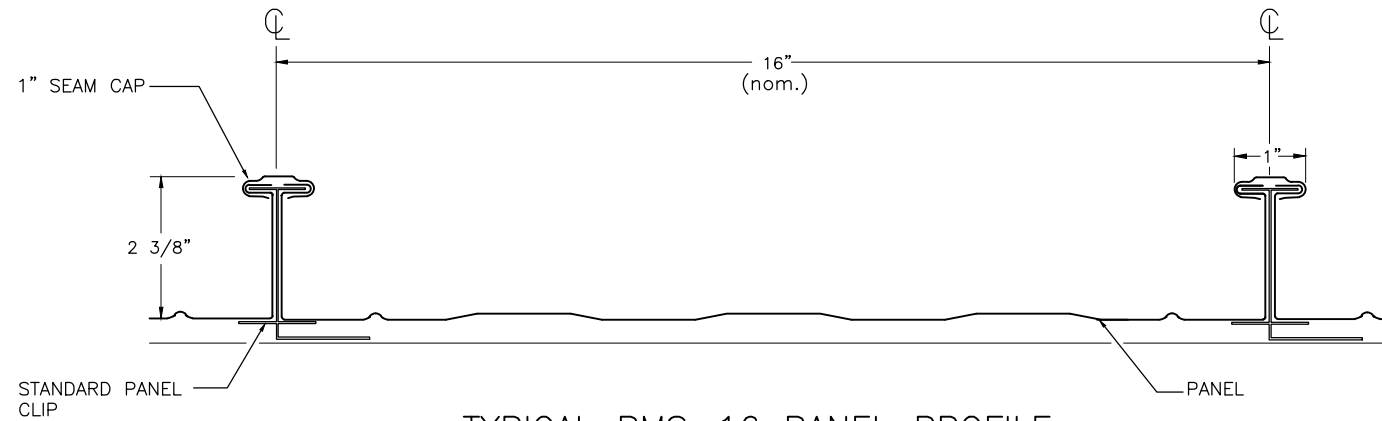
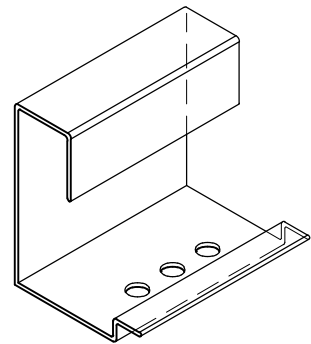
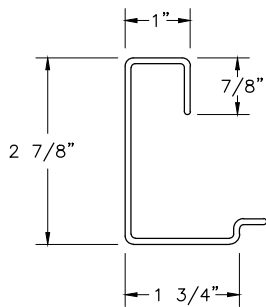


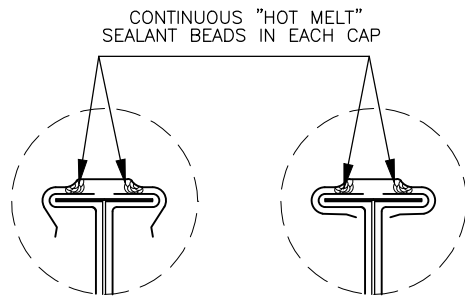
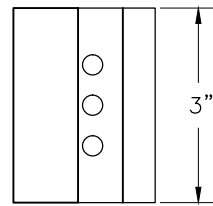
MOHR PLAZA COMMUNITY CENTER LUMBERTON, NC



TYPICAL RMS-16 PANEL PROFILE



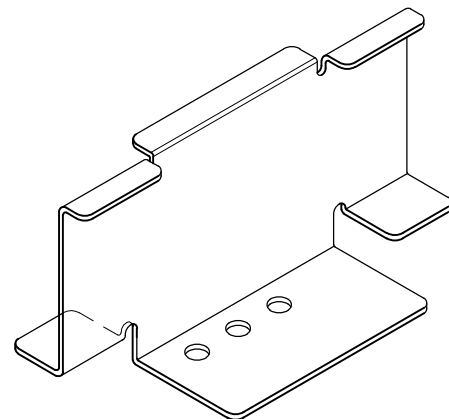
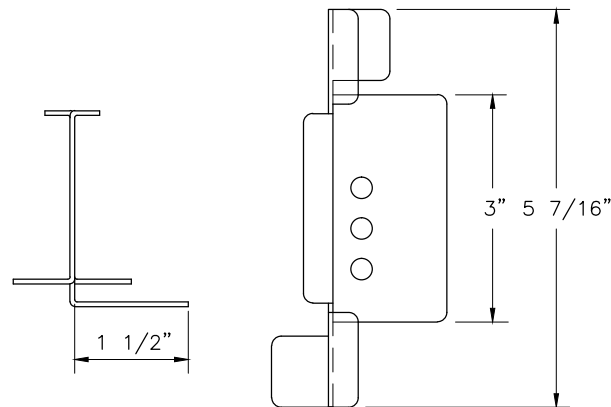
#3007SS GABLE CLIP
STAINLESS STEEL



FACTORY APPLIED SEALANT IN AN UNSEAMED PANEL CAP

FACTORY APPLIED SEALANT IN A MECHANICALLY SEAMED PANEL CAP

"HOT MELT" SEALANT BEADS
FACTORY APPLIED



#301016SS STD. CLIP
STAINLESS STEEL

R-MER SPAN PANEL AND ACCESSORIES

SPECIAL NOTES:

R-MER SPAN PANEL NOTES:

- FOR ADDITIONAL R-MER SPAN INSTALLATION INSTRUCTIONS, CONTACT GARLAND FOR AN INSTALLATION GUIDELINES MANUAL.
- ALL PANEL CLIPS ARE TO BE FASTENED USING (2) TWO # 14-13 DP1, CONCEALOR TYPE, SELF-TAPPING FASTENERS WITH AN ULTIMATE PULLOUT VALUE OF: 467# PER FASTENER INTO 22ga STEEL DECK
- ROOF PANELS ARE TO BE FIELD SEAMED BY ERECTOR WITH GARLAND'S ELECTRIC SEAMER. REFERENCE INSTALLATION MANUAL AND/OR OPERATING INSTRUCTIONS PROVIDED WITH SHIPMENT OF SEAMER.

UNDERLAYMENT NOTE:

GARLAND REQUIRES APPLYING A MINIMUM OF (1) LAYER OF R-MER SEAL OVER ENTIRE ROOF SUBSTRATE. ALWAYS FOLLOW THE MANUFACTURER'S INSTALLATION GUIDELINES.

GENERAL NOTES:

ATTENTION: ARCHITECT, G/C, & SUB-CONTRACTOR

THESE SHOP DRAWINGS HAVE BEEN SUBMITTED FOR ARCHITECT, GENERAL CONTRACTOR AND SUB-CONTRACTOR APPROVAL. ALL OF GARLAND'S SHOP FABRICATED MATERIAL WILL BE MANUFACTURED TO THE DIMENSIONS SHOWN UNLESS OTHERWISE NOTED. IT IS CRUCIAL THAT ANY NECESSARY CHANGES, NOTATIONS OR REQUESTED INFORMATION BE CLEARLY NOTED.

*APPROVAL STAMPS/SIGNATURES ATTACHED AT RIGHT.

ARCHITECT APPROVAL

G/C APPROVAL

SUB-CONTRACTOR APPROVAL

STORAGE NOTE:

ALWAYS STORE ALL COMPONENTS IN A CLEAN, DRY STORAGE AREA. PREVENT CONTACT WITH CORROSIVE OR STAINING MATERIALS.

MATERIAL NOTE:

SOME OIL CANNING OF PANELS IS COMMON IN THE INDUSTRY AND IS NOT CONSIDERED CAUSE FOR PRODUCT REJECTION.

SEALANT NOTE:

USE A CONTINUOUS BEAD OF NON-HARDENING, HIGH QUALITY SEALANT COMPATIBLE WITH KYNAR AND POLYESTER FINISHES. FOR FORMED COPING, EXTENDERS, FASCIA AND WALL CAPS, APPLY SEALANT BEAD TO THE CONCEALED PORTION OF THE SPLICE PLATE. (SEALANT BY ERECTOR)

ERECTOR NOTE:

- SAW OR TORCH CUTS OF THE ROOF PANEL ARE NOT PERMITTED. ONLY SHEARING ACTION MAY BE USED, AS ACHIEVED WITH HAND SNIPS OR ELECTRIC SHEARS
- ALL PANELS, BATTENS AND SEAMS TO HAVE FIELD BENT TRANSITIONS. (EXAMPLE: CHANGE OF PLANE)
- ALL RELATED PANEL TRIM TO HAVE FIELD TRANSITIONS AND FIELD FABRICATED MITERS. (EXAMPLE: TRANSITION BETWEEN RIDGE TO RAKE TRIM OR RAKE TO VERTICAL CORNER TRIM) (EXAMPLE: MITERS - 90° CORNERS FOR SILL TRIM)
- ALL CONTINUOUS LENGTHS OF PANEL TRIM TO BE NOTCHED, LAPPED AND SEALED 3" MINIMUM AT LAP SPLICES. (TYPICAL)
- PANEL TRIM'S THERMAL MOVEMENT OCCURS AT LAP SPLICES. **DO NOT ANCHOR TRIM AT LAP SPLICES. (TYPICAL)**

IMPORTANT CUSTOMER NOTE: PLEASE READ AND SIGN BELOW

- 1) ALL OF GARLAND'S SHOP FABRICATED MATERIAL WILL BE MANUFACTURED TO THE DIMENSIONS SHOWN UNLESS OTHERWISE NOTED.
- 2) IT IS CRUCIAL THAT ANY NECESSARY CHANGES, NOTATIONS OR REQUESTED INFORMATION BE CLEARLY NOTED ON THE SHOP DRAWINGS AND RETURNED TO GARLAND FOR REVIEW.
- 3) EACH DIMENSION MARKED WITH AN (*) MUST BE APPROVED FOR FABRICATION BY INDICATING THE RESPONSE "OK" OR "✓", OR BY NOTING THE CORRECT DIMENSION.
- 4) WHERE GARLAND SPECIFICALLY REQUESTS TO "FIELD VERIFY" OR "SPECIFY" A DIMENSION, THE PROPER CUSTOMER RESPONSE WILL BE TO:
 - A) MARK WITH EITHER "OK" OR "✓" IF THE DIMENSION IS CORRECT.
 - B) NOTE THE CORRECT DIMENSION.
 IT IS IMPERATIVE THAT FIELD DIMENSIONS ARE TAKEN TO INSURE ACCURATE FABRICATION AND PROPER MATERIAL FIT.
- 5) NO MATERIAL WILL BE CONSIDERED RELEASED FOR FABRICATION UNTIL ALL PERTINENT INFORMATION (I.E., COLOR, DIMENSIONS, MATERIAL CONFIGURATION) HAS BEEN RECEIVED BY GARLAND.
- 6) GARLAND MUST HAVE 'APPROVED' SHOP DRAWINGS WITH AUTHORIZATION TO RELEASE THE MATERIAL FOR FABRICATION AS INDICATED BY A CUSTOMER AUTHORIZATION SIGNATURE.

CUSTOMER AUTHORIZATION SIGNATURE: _____ (sign here)
 INDICATE THE DATE MATERIALS WILL BE REQUIRED AT THE PROJECT LOCATION: _____ (date here)

FINISH SPECIFICATIONS:

ROOF PANEL: R-MER SPAN

MATERIAL: 0.040" ALUMINUM

FINISH: FLUOROCARBON-70% RESIN (Kynar 500)

COLOR: STANDARD "TBD"

On all drawings:
 "by others" means "provided by Contractor"
 "by erector" means "furnished by Owner, installed by Contractor"

SUBMITTAL

MOHR PLAZA COMMUNITY CENTER
LUMBERTON, NC

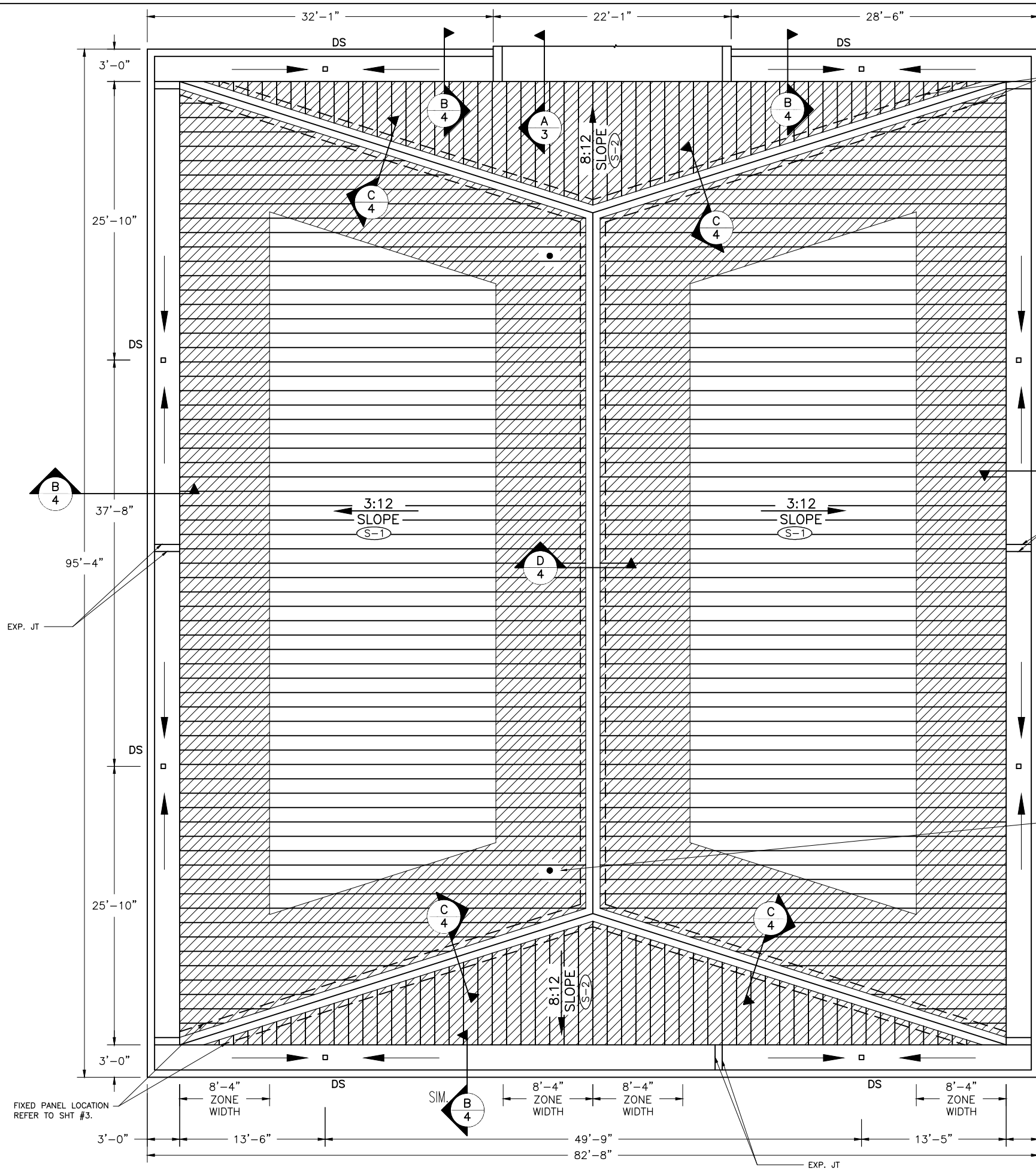
ARCHITECT: TOMBERLIN ASSOCIATES, ARCHITECTS
DATE: 10/30/18 DWG BY: MEC CHK BY: MA

PM: JEFF MORGAN CUSTOMER: TBD AGENT: BRIAN FRITZ

THE GARLAND COMPANY INC.
3800 EAST 91st STREET - CLEVELAND, OHIO 44105-2197
PHONE (800) 321-9336 / FAX (216) 641-0633

REV: DATE: ---/---/---
 DATE: ---/---/---
 DATE: ---/---/---
 DATE: ---/---/---

ALL ROOF DIMENSIONS MUST BE FIELD VERIFIED

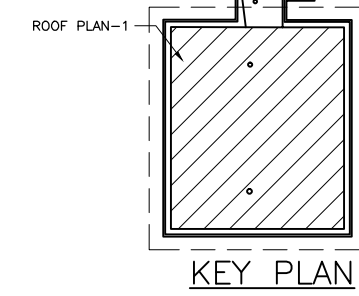
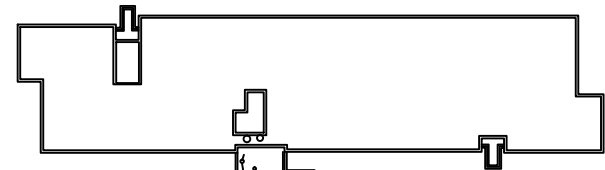


FIXED PANEL LOCATION REFER TO SHT #3.

TRIM LAP DETAILS:
ERECTOR TO COORDINATE WITH MANUFACTURER'S DETAILS.
INSTALLATION SUPPORT TAB
*REFER TO TRIM LAP DETAILS IN THIS SECTION.

SMACNA GUIDELINES:
GARLAND RECOMMENDS FOLLOWING SMACNA GUIDELINES FOR THE SIZING AND LOCATION OF GUTTERS, DOWNSPOUTS, AND EXPANSION JOINTS.

ERECTOR NOTE:
ALL MATERIAL SUPPLIED IS 0.040" ALUMINUM.
ALL TRIM COMPONENTS ARE TO BE FABRICATED BY THE ERECTOR FROM FLAT SHEET SUPPLIED.



PANEL CLIP SPACING
PROVIDED BELOW ARE THE MAXIMUM ALLOWABLE ROOF PANEL CLIP SPACINGS.
ROOF PANEL CLIPS MAY BE INSTALLED CLOSER TOGETHER THAN THE ALLOWABLE O.C. MAXIMUMS IF JOB-SITE CONDITIONS REQUIRE. HOWEVER, PANEL CLIPS MUST *NOT* EXCEED THE MANUFACTURER'S PROVIDED O.C. MAXIMUMS.

ZONE DESIGNATION:	ZONE TYPE:	DESCRIPTION:	CLIP SPACING:
□	ZONE 1	(Field of Roof)	5'-0" o.c. MAX.
▨	ZONE 2&3	(Perimeters & Corners)	4'-4" o.c. MAX.

FIXED PANEL CLIP LOCATIONS:

LINE TYPE:	DESCRIPTION:	EXPLANATION:
---	PANEL FIXED LOCATION	DESIGNATES A ROW OF 'FIXED' PANEL CLIPS.

SUBSTRATE LENGTH SCHEDULE:
PROVIDED BELOW ARE ESTIMATED SUBSTRATE LENGTHS (NOT PANEL LENGTHS), AS PROVIDED TO GARLAND OR AS SCALED BY GARLAND FROM CONSTRUCTION DRAWINGS.
• THESE SUBSTRATE LENGTHS ARE PROVIDED FOR REVIEW AND MUST BE FIELD VERIFIED.
• ERECTOR MUST THEN REFERENCE THE APPROPRIATE DETAILS WITHIN THE SHOP DRAWINGS TO CALCULATE THE CORRECT ROOF PANEL LENGTHS REQUIRED. YOU MAY NOTE THESE CALCULATED PANEL LENGTHS IN THE SPACES PROVIDED BELOW.
• ERECTOR TO COORDINATE JOB SITE CONDITIONS WITH SHOP DRAWING DETAILS TO DETERMINE REQUIRED PANEL QUANTITIES AND LENGTHS. THIS ITEMIZED CUT IS TO BE FORWARDED TO GARLAND FOR MATERIAL RELEASE AND PRODUCTION.

DO NOT USE THE SUBSTRATE LENGTHS AS THE PANEL LENGTHS!

SUBSTRATE DESIGNATION:	SUBSTRATE LENGTH:	CALCULATE:	REQUIRED PANEL LENGTHS:
(S-1)	39'-6 3/4"	NOTE: Use the shop drawing details to adjust the substrate length dimension to the panel length required.	=
(S-2)	12'-7 5/16"		=
(S-3)	---		=
(S-4)	---		=
(S-5)	---		=
(S-6)	---		=
(S-7)	---		=
(S-8)	---		=
(S-9)	---		=
(S-10)	---		=

IMPORTANT READ:
THE ERECTOR HAS THE SOLE RESPONSIBILITY TO COORDINATE THE SHOP DRAWINGS WITH THE ACTUAL JOB SITE CONDITIONS TO DETERMINE AN ACCURATE AND ITEMIZED MATERIAL 'CUT LIST'. THIS IS CRUCIAL FOR MATERIAL RELEASE AND PANEL PRODUCTION.

PIPE PENETRATION:
ERECTOR TO COORDINATE WITH MANUFACTURER'S DETAILS.
INSTALLATION SUPPORT TAB
*PAGE PIPE-1.1 (OPTIMAL)
*PAGE PIPE-2.1 & 2.2

On all drawings:
"by others" means "provided by Contractor"
"by erector" means "furnished by Owner, installed by Contractor"

1 ROOF PLAN
2 ARCH. REF. : A14

SUBMITTAL

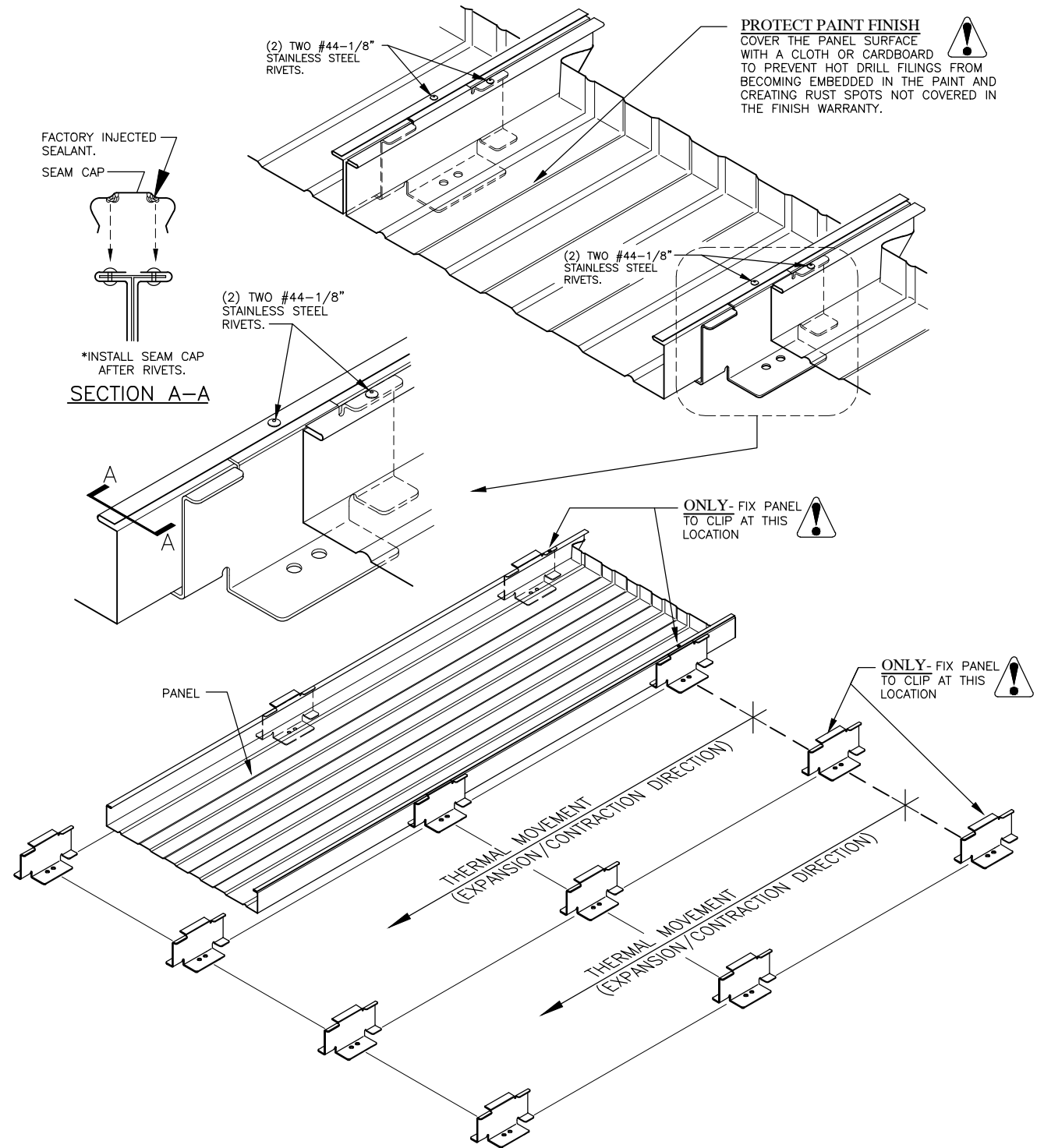
MOHR PLAZA COMMUNITY CENTER
LUMBERTON, NC

ARCHITECT: TOMBERLIN ASSOCIATES, ARCHITECTS
DATE: 10/30/18 DWG BY: MEC CHK BY: MA
PM: JEFF MORGAN CUSTOMER: TBD AGENT: BRIAN FRITZ

THE GARLAND COMPANY INC.
3800 EAST 91st STREET - CLEVELAND, OHIO 44105-2197
PHONE (800) 327-9336 / FAX (216) 641-0633

REV: DATE: ---/---/---
DATE: ---/---/---
DATE: ---/---/---
DATE: ---/---/---

SHEET: 2 OF 4 JOB NUMBER: 26689



ERECTOR NOTE: FIXED PANEL INSTALLATION METHOD

- TYPICALLY, PANELS ARE 'FIXED' ALONG THE RIDGE/HIP/HEAD CONDITIONS AND PANEL THERMAL MOVEMENT IS DIRECTED TOWARD THE EAVE/SILL/VALLEY CONDITIONS.
- **FIX** (MECHANICAL ATTACHED) PANELS TO CLIPS AS SHOWN.
- PROTECT THE PANEL'S PAINT FINISH FROM HOT DRILL FILINGS. THESE FILINGS WILL BECOME SELF-EMBEDDED IN THE PAINT AND CREATE RUST SPOTS NOT COVERED IN THE FINISH WARRANTY.
- SNAP ON THE SEAM CAP AFTER THE PANEL HAS BEEN RIVETED TO THE PANEL CLIPS. SEE DRAWING.
- USE THE HAND CRIMPING TOOL AND CRIMP THE SEAM CAPS AT THESE FIXED LOCATIONS.
- DO NOT RUN THE MOTORIZED ELECTRIC SEAMING MACHINE OVER THESE FIXED LOCATIONS.

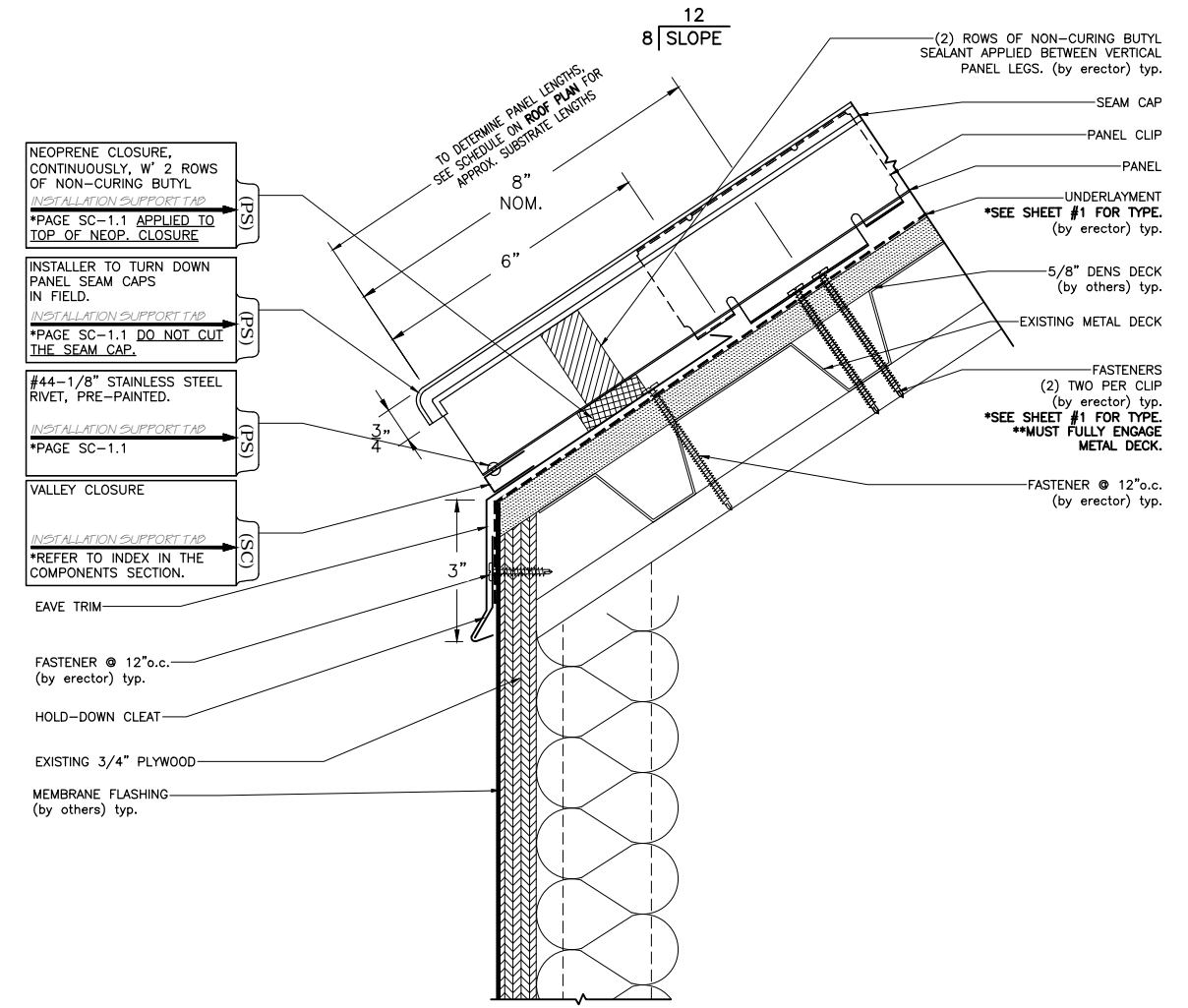
ERECTOR NOTE: FIXED PANEL LOCATION EXPLANATION

- THE FIXED PANEL LOCATIONS ILLUSTRATED ON THE ROOF PLAN DESIGNATE A "FIXED LOCATION" BETWEEN THE PANEL AND PANEL CLIP.
- THIS "FIXED LOCATION" IS A MECHANICAL CONNECTION BETWEEN THESE TWO COMPONENTS, PANEL AND PANEL CLIP.
- A "FIXED LOCATION" CAN ONLY OCCUR AT ONE LOCATION ON EACH PANEL.
- **DO NOT ATTACH EACH PANEL CLIP TO THE PANEL.**
- THE PANEL MUST BE FIXED (MECHANICAL ATTACHED) AT ONE LOCATION AND ALL REMAINING PANEL CLIPS ALONG THE PANEL MUST **NOT** BE ATTACHED.
- ONCE THE PANEL IS FIXED AT THE ONE LOCATION, THE REMAINING NON-ATTACHED PANEL CLIPS WILL ALLOW PANEL THERMAL MOVEMENT.
- THIS THERMAL MOVEMENT IS EXPANSION AND CONTRACTION OF THE PANEL ALONG ITS' ENTIRE LENGTH.

2-Rivet Fixed Panel Detail

SEE ROOF PLAN FOR CORRECT PLACEMENT OF THE PANEL'S FIXED LOCATIONS.

IF THIS IS UNCLEAR IN ANY MANNER, DO NOT INSTALL PANELS AND CONTACT THE MANUFACTURER OR MANUFACTURER'S REPRESENTATIVE FOR CLARIFICATIONS.



A EXPANDING EAVE DETAIL
3 ARCH. REF. : 7/A15

On all drawings:
"by others" means "provided by Contractor"
"by erector" means "furnished by Owner, installed by Contractor"

SUBMITTAL

REV: -	DATE: --/--/--	MOHR PLAZA COMMUNITY CENTER LUMBERTON, NC
-	DATE: --/--/--	ARCHITECT: TOMBERLIN ASSOCIATES, ARCHITECTS
-	DATE: --/--/--	DATE: 10/30/18 DWG BY: MEC CHK BY: MA
-	DATE: --/--/--	PM: JEFF MORGAN CUSTOMER: TBD AGENT: BRIAN FRITZ

THE GARLAND COMPANY INC.
3800 EAST 91st STREET - CLEVELAND, OHIO 44105-2197
PHONE (800) 321-9336 / FAX (216) 641-0633

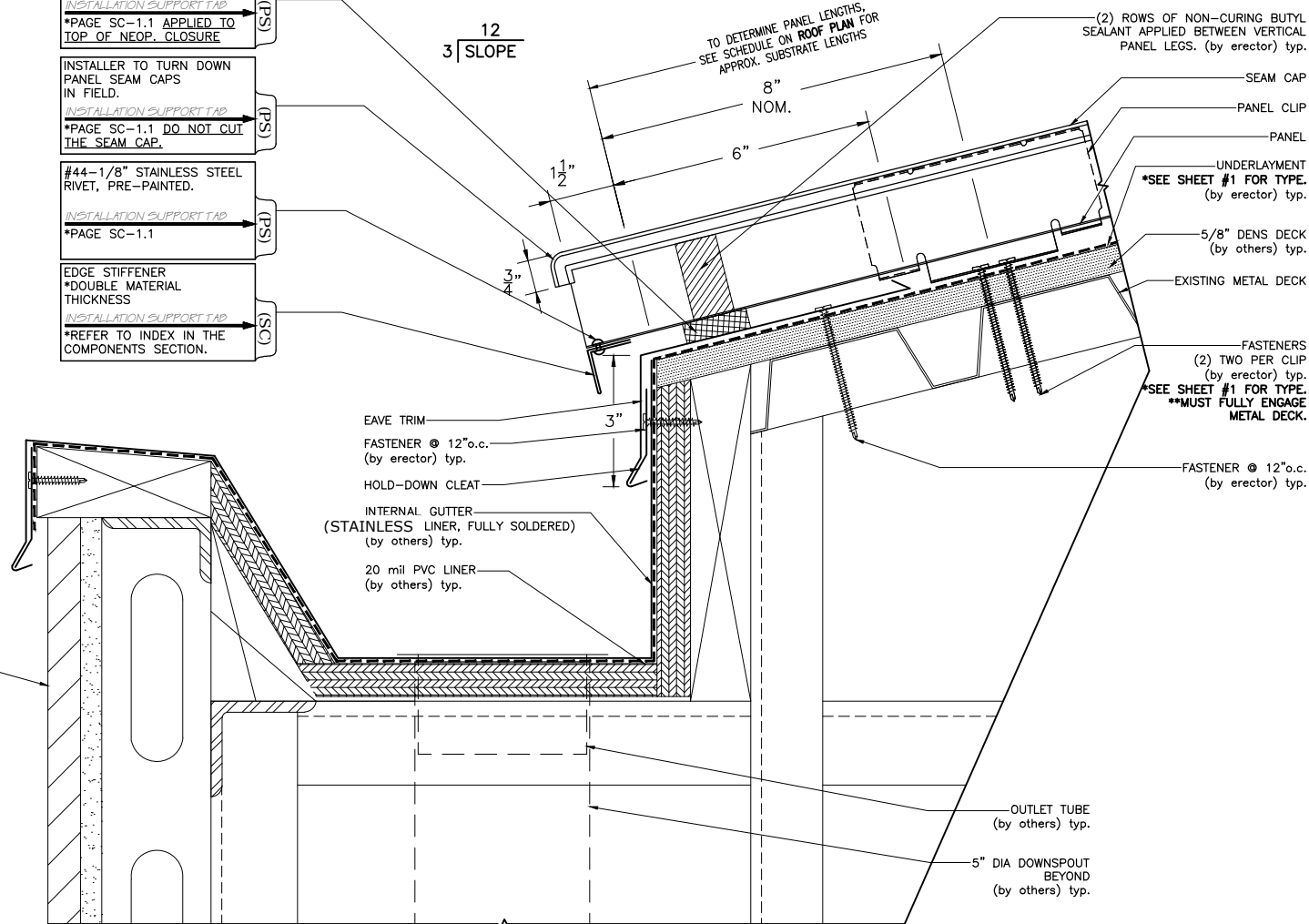


NEOPRENE CLOSURE, CONTINUOUSLY, W/ 2 ROWS OF NON-CURING BUTYL
 INSTALLATION SUPPORT TAB
 *PAGE SC-1.1 APPLIED TO TOP OF NEOP. CLOSURE (PS)

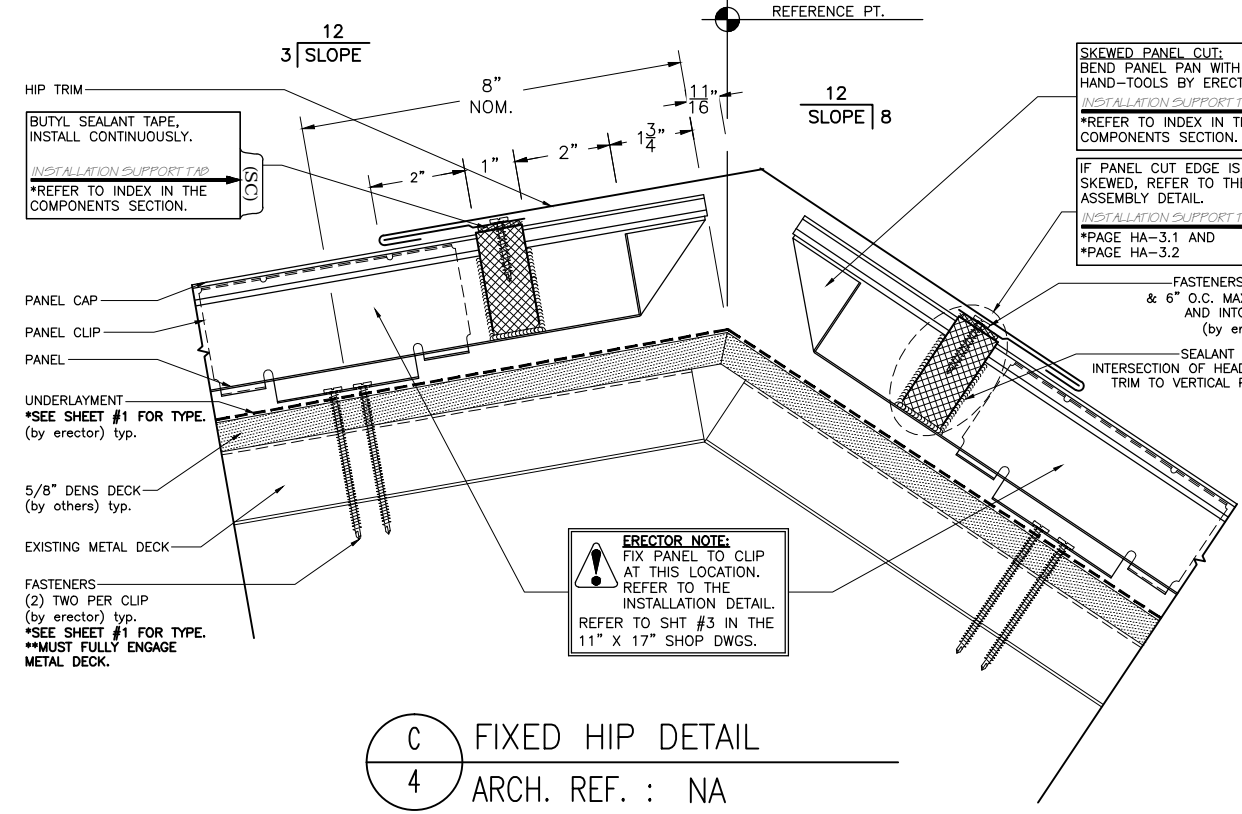
INSTALLER TO TURN DOWN PANEL SEAM CAPS IN FIELD.
 INSTALLATION SUPPORT TAB
 *PAGE SC-1.1 DO NOT CUT THE SEAM CAP. (PS)

#44-1/8" STAINLESS STEEL RIVET, PRE-PAINTED.
 INSTALLATION SUPPORT TAB
 *PAGE SC-1.1 (PS)

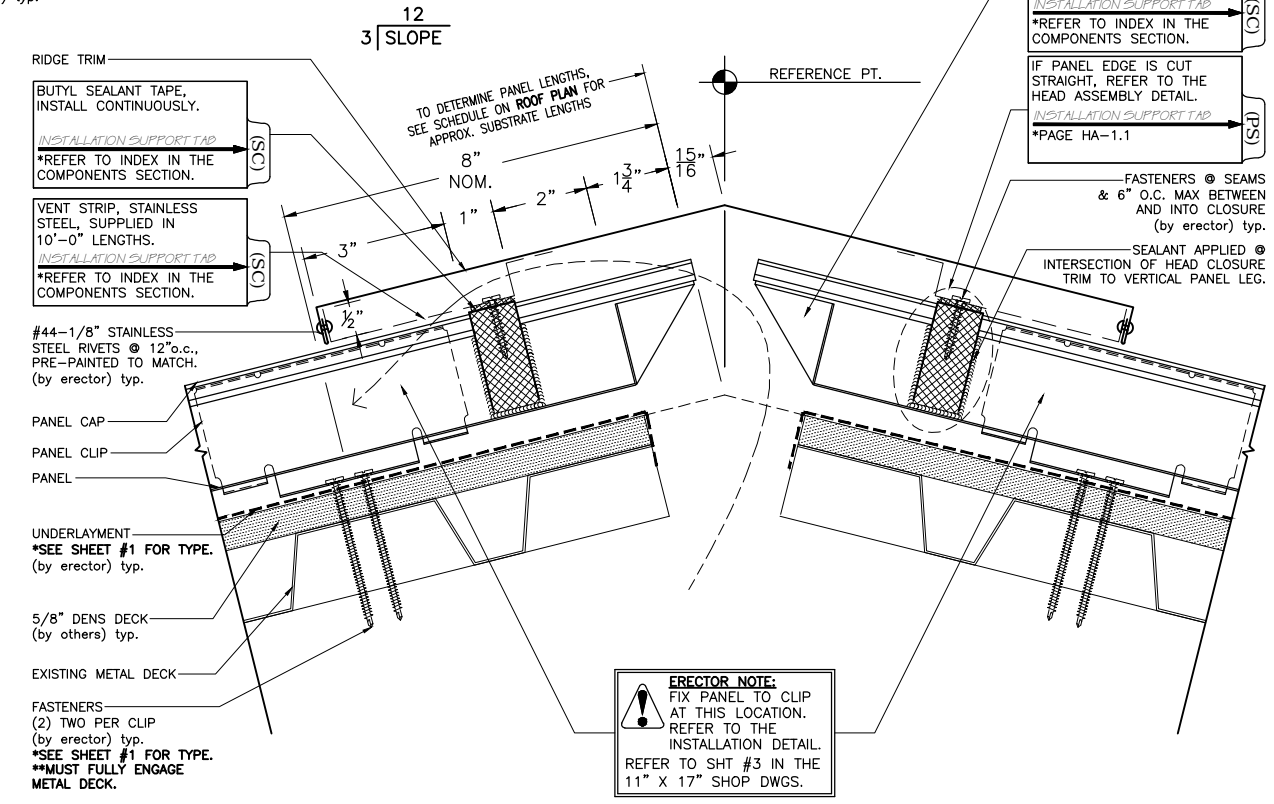
EDGE STIFFENER *DOUBLE MATERIAL THICKNESS
 INSTALLATION SUPPORT TAB
 *REFER TO INDEX IN THE COMPONENTS SECTION. (SC)



B EXPANDING EAVE WITH INTERNAL GUTTER DETAIL
 4 ARCH. REF. : 5/A15



C FIXED HIP DETAIL
 4 ARCH. REF. : NA



D FIXED VENTED RIDGE DETAIL
 4 ARCH. REF. : 6/A14

SKewed PANEL CUT: BEND PANEL PAN WITH HAND-TOOLS BY ERECTOR.
 INSTALLATION SUPPORT TAB
 *REFER TO INDEX IN THE COMPONENTS SECTION.

IF PANEL CUT EDGE IS SKewed, REFER TO THE HIP ASSEMBLY DETAIL.
 INSTALLATION SUPPORT TAB
 *PAGE HA-3.1 AND *PAGE HA-3.2

ERECTOR NOTE:
 FIX PANEL TO CLIP AT THIS LOCATION. REFER TO THE INSTALLATION DETAIL. REFER TO SHT #3 IN THE 11" X 17" SHOP DWGS.

STRAIGHT PANEL CUT: BEND PANEL PAN WITH PAN-END TOOL.
 INSTALLATION SUPPORT TAB
 *REFER TO INDEX IN THE COMPONENTS SECTION.

IF PANEL EDGE IS CUT STRAIGHT, REFER TO THE HEAD ASSEMBLY DETAIL.
 INSTALLATION SUPPORT TAB
 *PAGE HA-1.1

On all drawings:
 "by others" means "provided by Contractor"
 "by erector" means "furnished by Owner, installed by Contractor"

SUBMITTAL

MOHR PLAZA COMMUNITY CENTER LUMBERTON, NC		ARCHITECT: TOMBERLIN ASSOCIATES, ARCHITECTS	DATE: 10/30/18	DWG BY: MEC	CHK BY: MA
REV: -	DATE: --/--/--	CUSTOMER: TBD	AGENT: BRIAN FRITZ		
REV: -	DATE: --/--/--				
REV: -	DATE: --/--/--				
REV: -	DATE: --/--/--				

THE GARLAND COMPANY INC.
 3800 EAST 91st STREET - CLEVELAND, OHIO 44105-2197
 PHONE (800) 321-9336 / FAX (216) 641-0633